

Original VACPAN™ Installation Instructions

PLEASE READ INSTRUCTIONS PRIOR TO INSTALLATION

INSTALLATION TIPS

- Plan the location of your **ORIGINAL VACPAN** to be conveniently located for sweeping clean-ups. Also consider ease of access of vacuum tube piping connections during installation.
- The leading edge of the **ORIGINAL VACPAN** must sit flush with the finished floor.
- For maximum clearance, use Plastiflex part # SV8052 Universal Short 90° Elbow for connection to **VACPAN**.
- Do not glue the connection between **ORIGINAL VACPAN** and elbow, to allow for future removal.
- Prior to final installation, check for an airtight seal between **ORIGINAL VACPAN** and elbow. Teflon tape may be used if required.
- Allow for 1/2" vertical play in vacuum tube piping at **ORIGINAL VACPAN** location, so that final piping connections can be made.

UNDER CABINET INSTALLATIONS

- **ORIGINAL VACPAN** requires a minimum 2-1/4" toe kick height.
- Once the **ORIGINAL VACPAN** location is determined, cut a 6-3/4" long x 1-3/4" high slot in the cabinet toe kick to accept the **ORIGINAL VACPAN**.
- Run vacuum tube piping and low voltage wire from the main piping line to the **ORIGINAL VACPAN** location.
- Access for final piping connections must be made.

Access From Below

If access is available from below, cut an access hole through the subfloor underneath the cabinet, positioned so that final piping connections can be made by reaching through the access hole.

Access Through Cabinet Floor

Access can be made through the finished cabinet floor. Cut a 2-3/4" x 3-1/2" access hole, positioned so that final piping connections can be made by reaching through the access hole. Plastiflex part #SV8012 Cover Plate can be used to cover the hole after installation.

Access Through Cabinet Toe Kick

Access can be made through the cabinet toe kick by cutting up to a 10-1/2" x 4" slot and using the **ORIGINAL VACPAN Quick Trim Cover Plate** (included or Plastiflex part #VCPx01 sold separately). If required, score back of **Quick Trim Cover Plate** with a knife and snap along grooves for height adjustment.

- Attach low voltage wires to **ORIGINAL VACPAN** terminal connections marked "low voltage only".
- Slide **ORIGINAL VACPAN** into mounting slot and secure to toe kick using two #6 screws provided.
- Reach through access hole and make final piping connections.

IN WALL INSTALLATIONS

- **ORIGINAL VACPAN** can be installed between wall studs inside walls.
- **ORIGINAL VACPAN** should be located tight to one side in stud space.
- Once the **ORIGINAL VACPAN** location is determined, cut a 6-3/4" long x 1-3/4" high slot in the wall and baseboard to accept the **ORIGINAL VACPAN**.
- The 2x4 wall bottom plate between the two studs must be removed. This can be achieved from below using a hole saw.
- In new home construction, the bottom wall plate can be removed directly. A 6-3/4" length of 2x4 can be used as a temporary rough in block, that will force all trades to finish around, leaving a slot for the **ORIGINAL VACPAN**. Floor contractor must run flooring under block.
- Run vacuum tube piping and low voltage wire from the main line to **ORIGINAL VACPAN** location.
- Access for final piping connections must be made.

Access From Below

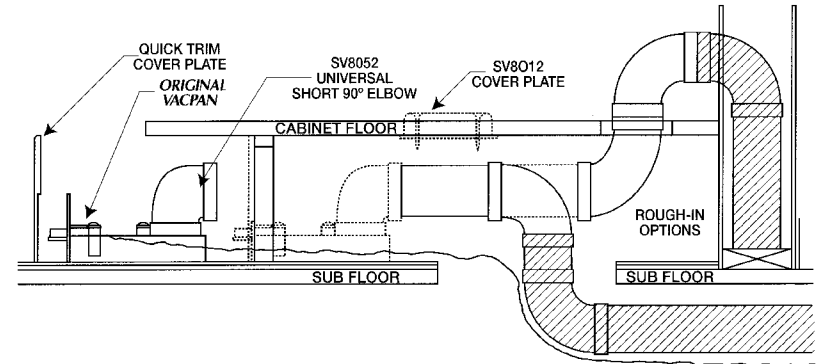
If access is available from below, cut an access hole through the subfloor underneath the wall between the studs, positioned so that final piping connections can be made by reaching through the access hole.

Access Through Wall

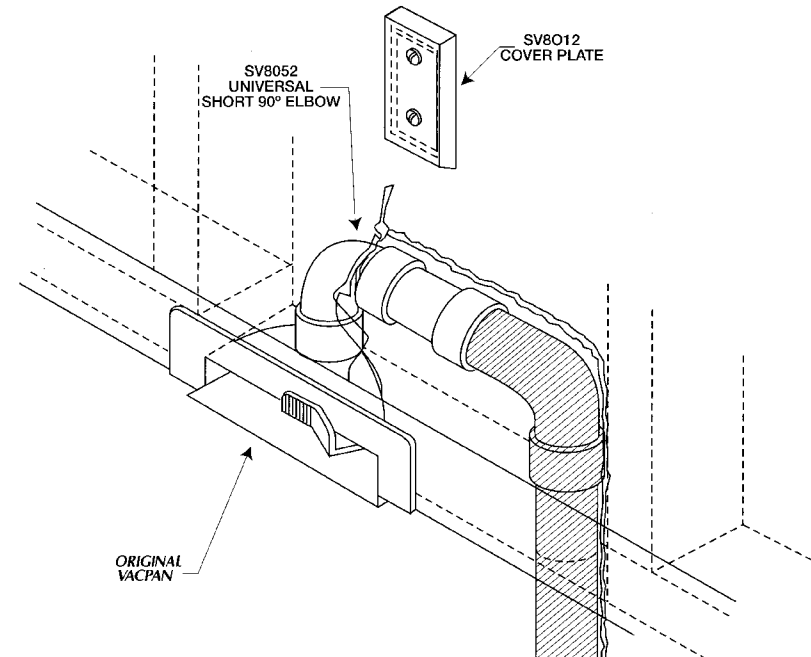
Access can be made through the finished wall. Cut a 2-3/4" x 3-1/2" access hole, positioned so that final piping connections can be made by reaching through the access hole. Plastiflex part # SV8012 Cover Plate can be used to cover the hole after installation.

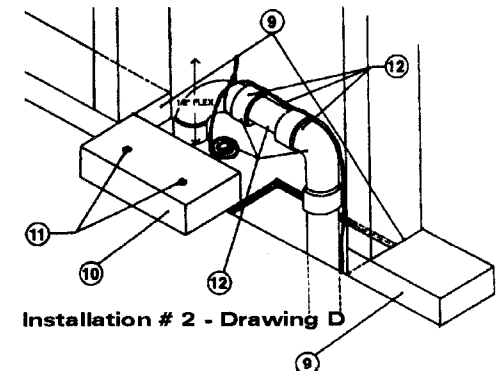
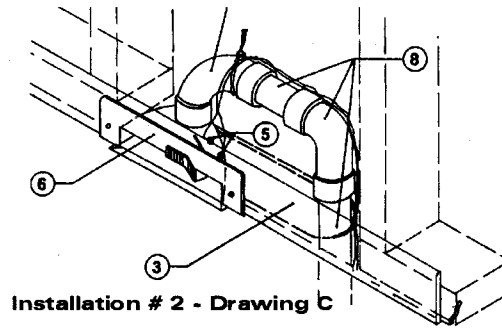
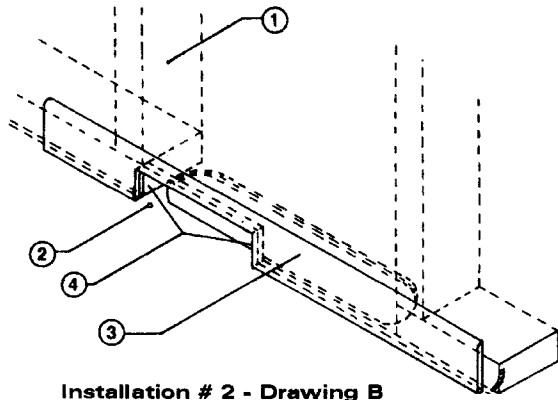
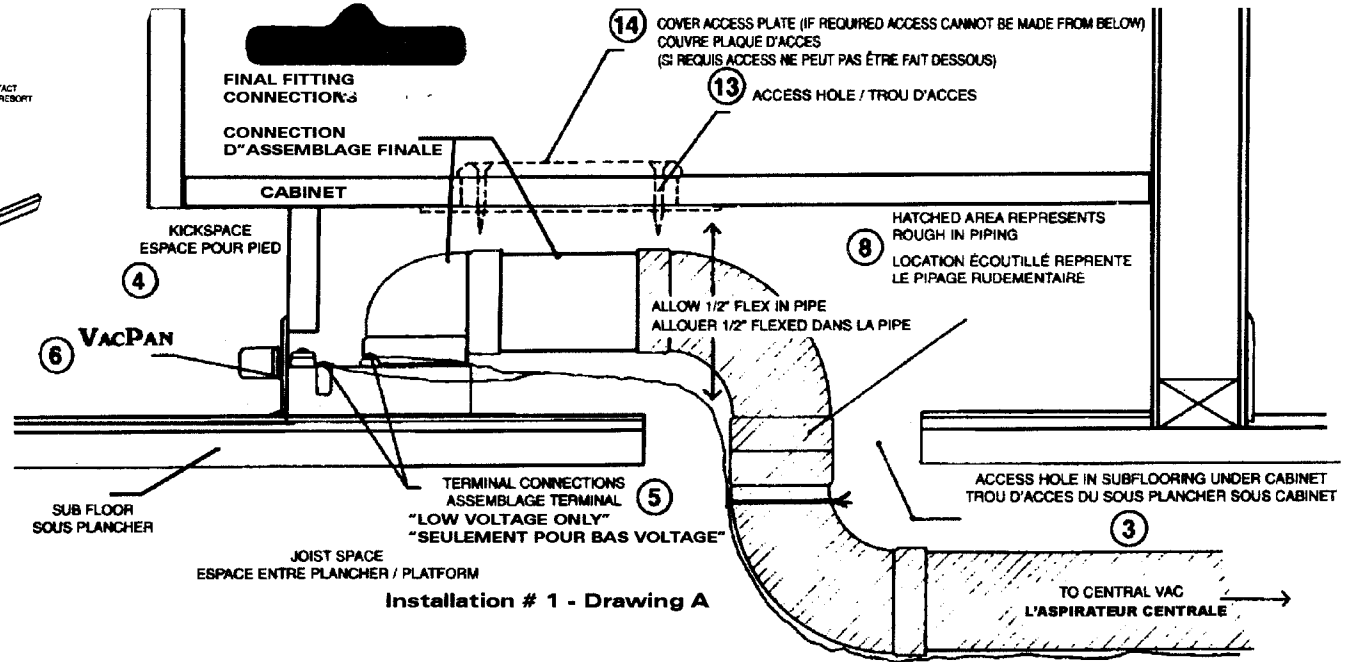
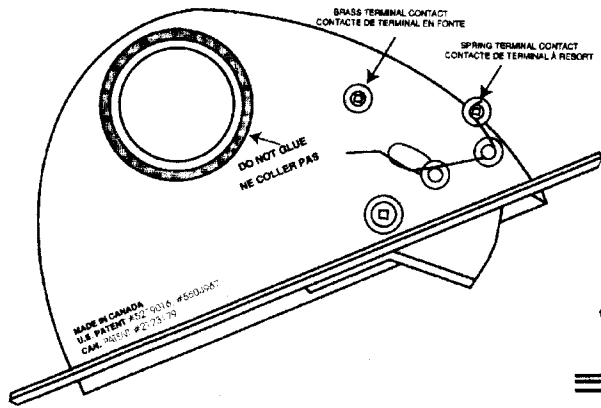
- Attach low voltage wires to **ORIGINAL VACPAN** terminal connections marked "low voltage only".
- Slide **ORIGINAL VACPAN** into mounting slot and secure to wall using two #6 screws provided.
- Reach through access hole and make final fitting connections.

UNDER CABINET INSTALLATIONS



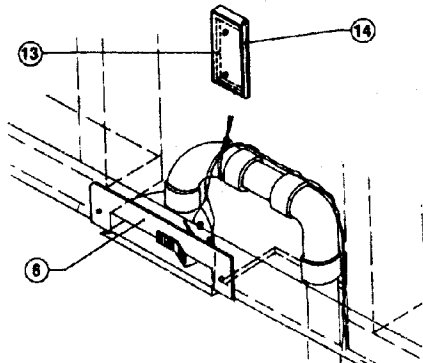
IN WALL INSTALLATIONS



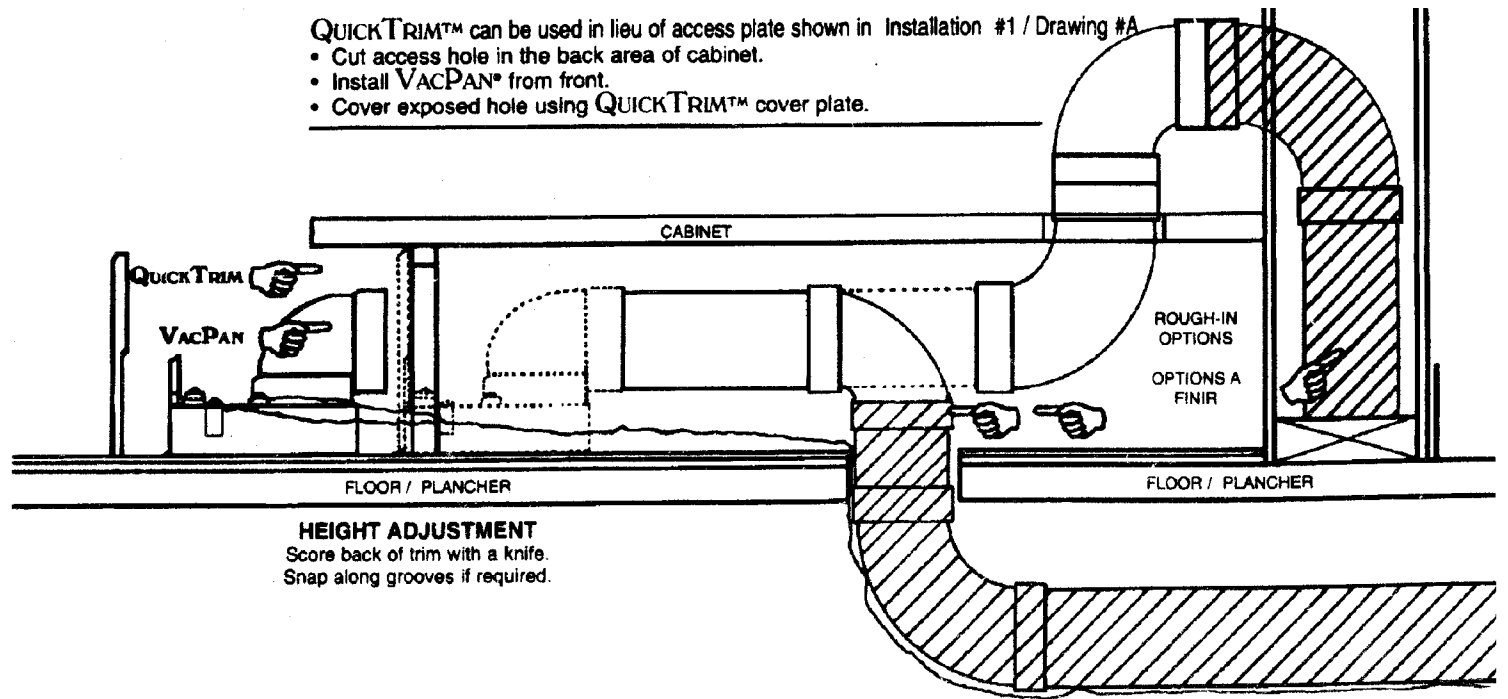


QUICKTRIM™ can be used in lieu of access plate shown in Installation #1 / Drawing #A

- Cut access hole in the back area of cabinet.
- Install VACPAN® from front.
- Cover exposed hole using QUICKTRIM™ cover plate.



Installation # 2 - Drawing E



VACPAN™

READ INSTRUCTIONS BEFORE INSTALLATION IMPORTANT NOTES:

- For maximum clearance under cabinets use 2 1/1" x 3 1/2" short 90° elbows.
- Check for an airtight seal at VacPan and elbow prior to installation.
- If required use Teflon tape to make airtight seal but do not use glue.
- Make certain clearance is available in kick space prior to installation under cabinets.
- Use central vac. cover plate or double electrical blank plate for access cover when required.
- (See Installation #3 for optional use of QUICK TRIM/Front Entry Access Plate (QuickTrim Sold Separately.)
- Allow 1/2" play in vacuum pipe at location of VacPan so that fitting connection can be lifted to install or remove VacPan.

INSTALLATION #1 UNDER CABINET ACCESS TO PIPING FROM BELOW, DRAWING A

- Select a location under cabinet for VacPan (6) so that new fittings can be connected to existing pipe. Drill small reference hole under location of VacPan to determine position in basement or crawl space.
- Using a hole saw, cut access hole (3) in floor under cabinet. Position access hole (3) so that final fittings (7) can be installed by reaching through access hole (3).
- Cut 6 3/4" long slot along kick (4) of cabinet.
- Make termination connections (5). "LOW VOLTAGE ONLY"
- Slide VacPan (6) into slot and secure using #6 wood screws provided.
- Reach through access hole (3) and make final fitting connections (7).
- (See Installation #3 for optional use of QUICK TRIM/Front Entry Access Plate (QuickTrim Sold Separately.)

IF ACCESS CANNOT BE MADE FROM BELOW:

- Rough in pipe (8) through floor, provide 1/2" play in pipe.
- Provide slack in low voltage lines for future connection.
- Once cabinets are installed cut access hole (13) c/w cover plate (14). Reach through and make final connections as per previous installation.

INSTALLATION #2 IN WALLS ALONG BASEBOARDS. DRAWING B.C.D.E

DRAWING B. ACCESS TO PIPING FROM BELOW.

- Locate studs (1) in the wall at the location VacPan will be installed.
- VacPan should be located tight to one side in stud space.
- Drill a small reference hole (2) through the floor under area of VacPan. This will establish location from basement.
- From below, use hole saw to remove wood floor and wood plate at location of VacPan between studs in wall cavity to provide access hole (3) from below.
- Using a 1 1/2" hoe saw, remove a 6 3/4" long slot (4) in baseboard tight to one stud.

NEW HOME CONSTRUCTION DRAWING D

- Cut out wall plate (9) between two studs at location of VacPan. Cut a 6 3/4" piece of wall plate and re-fasten to floor. This will act as temporary rough-in block (10) that will force all trades to finish around providing a lot in wall for installation of VacPan. Make certain that screws (11) remain exposed so that block can be removed in the future.
- Floor contractor must run flooring under block.
- Rough in pipe and low voltage leads (12) to location of VacPan outlet.
- Ensure fitting is installed 1" off finished floor with 1/2" of play in piping to allow VacPan to be slid into position.

DRAWING E

- If ceiling is installed below and access to pipe is not possible, cut 2 3/4" x 4 1/2" access hole (13) in wall above VacPan (6). Reach through access hole, lift pipe and slide VacPan into position and push elbow onto VacPan.
- Cover access hole with cover plate (14).

PLAN E

INSTALLATION #3 QUICK TRIM FRONT ENTRY ACCESS COVER PLATE (SOLD SEPARATELY)/QUICK TRIM PORT

QUICK TRIM can be used in lieu of access plate shown in installation #1/Drawing #A.

- Cut access hole in the back area of cabinet.
- Install VacPan from front.
- Cover exposed hole using QUICK TRIM cover plate.

HEIGHT ADJUSTMENT
Score back of trim with a knife.
Snap along grooves if required.